

 Domestic use

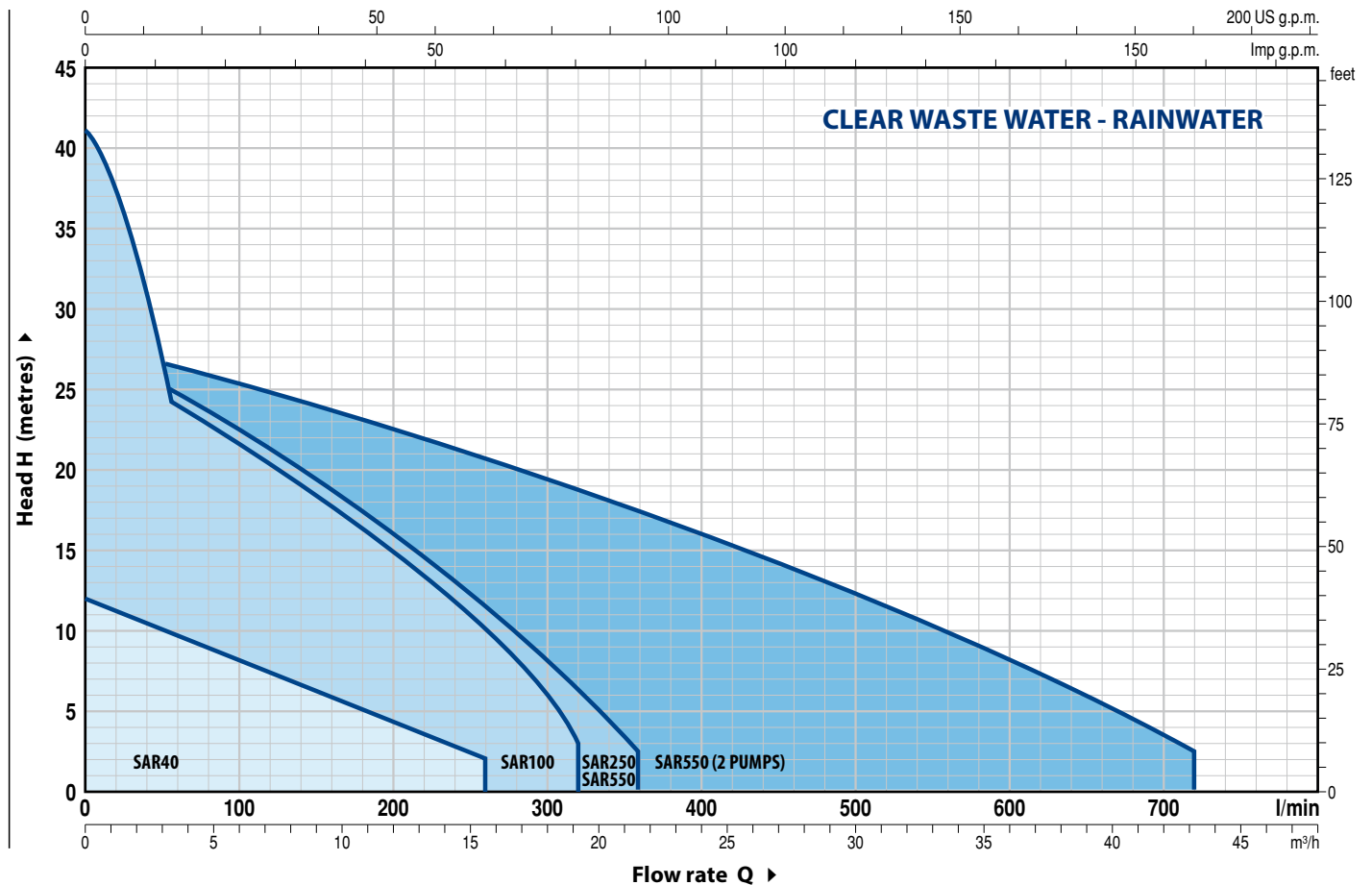
 Agricultural use

 Civil use



### PERFORMANCE RANGE

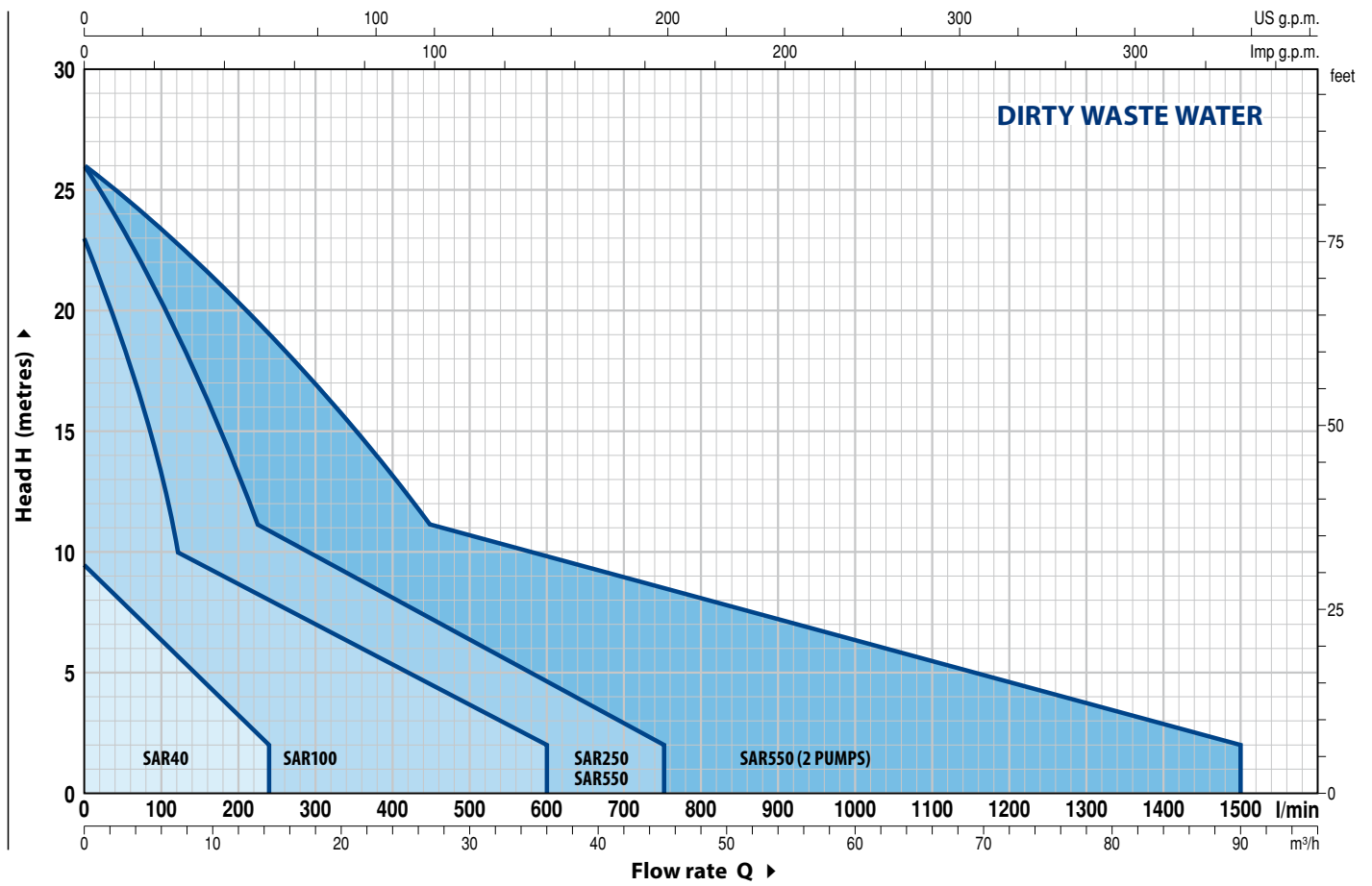
50 Hz n= 2900 min<sup>-1</sup>





**PERFORMANCE RANGE**

50 Hz n= 2900 min<sup>-1</sup>



## CLEAR WASTE WATER - RAINWATER

| MODEL               | POWER (P <sub>2</sub> ) |      | TANK CAPACITY<br>litres | MAXIMUM FLOW RATE<br>litres/min | MAXIMUM HEAD<br>metres |
|---------------------|-------------------------|------|-------------------------|---------------------------------|------------------------|
|                     | kW                      | HP   |                         |                                 |                        |
| <b>SAR 40-TOP 1</b> | 0.25                    | 0.33 | <b>40</b>               | 160                             | 6                      |
| <b>SAR 40-TOP 2</b> | 0.37                    | 0.50 | <b>40</b>               | 220                             | 8                      |
| <b>SAR 40-TOP 3</b> | 0.55                    | 0.75 | <b>40</b>               | 260                             | 10                     |
| <b>SAR 40-RXm 1</b> | 0.25                    | 0.33 | <b>40</b>               | 160                             | 6.5                    |
| <b>SAR 40-RXm 2</b> | 0.37                    | 0.50 | <b>40</b>               | 220                             | 9.5                    |
| <b>SAR 40-RXm 3</b> | 0.55                    | 0.75 | <b>40</b>               | 220                             | 11.5                   |



## DIRTY WASTE WATER

| MODEL                        | POWER (P <sub>2</sub> ) |      | TANK CAPACITY<br>litres | MAXIMUM FLOW RATE<br>litres/min | MAXIMUM HEAD<br>metres |
|------------------------------|-------------------------|------|-------------------------|---------------------------------|------------------------|
|                              | kW                      | HP   |                         |                                 |                        |
| <b>SAR 40 - TOP 2-VORTEX</b> | 0.37                    | 0.50 | <b>40</b>               | 180                             | 6.5                    |
| <b>SAR 40-TEX 2</b>          | 0.37                    | 0.50 | <b>40</b>               | 200                             | 7.5                    |
| <b>SAR 40-TEX 3</b>          | 0.55                    | 0.75 | <b>40</b>               | 240                             | 9.5                    |
| <b>SAR 40 - RXm2/20</b>      | 0.37                    | 0.50 | <b>40</b>               | 180                             | 6.5                    |

### COMPONENTI

- **40 litres** polyethylene tank with cover plate
- Pump complete with float switch
- Power cable: supplied with standard 5 metres cable with Schuko plug (EN 60335-2-41 standard states that the power cable must be 10 metres long for outside use)
- Non-return valve
- Accumulation stations with inlet tube 1½" gas, outlet 1¼" gas and vent ½" gas

## CLEAR WASTE WATER - RAINWATER



| MODEL                 | POWER (P <sub>2</sub> ) |      | TANK CAPACITY<br>litres | MAXIMUM FLOW RATE<br>litres/min | MAXIMUM HEAD<br>metres |
|-----------------------|-------------------------|------|-------------------------|---------------------------------|------------------------|
|                       | kW                      | HP   |                         |                                 |                        |
| SAR 100 - TOP 2       | 0.37                    | 0.50 | 100                     | 220                             | 8                      |
| SAR 100 - TOP 3       | 0.55                    | 0.75 | 100                     | 260                             | 10                     |
| SAR 100 - TOP 4       | 0.75                    | 1    | 100                     | 320                             | 12.5                   |
| SAR 100 - TOP MULTI 1 | 0.37                    | 0.50 | 100                     | 70                              | 25                     |
| SAR 100 - TOP MULTI 2 | 0.55                    | 0.75 | 100                     | 80                              | 40                     |
| SAR 100 - TOP MULTI 3 | 0.55                    | 0.75 | 100                     | 120                             | 32                     |
| SAR 100 - RXm 2       | 0.37                    | 0.50 | 100                     | 220                             | 9.5                    |
| SAR 100 - RXm 3       | 0.55                    | 0.75 | 100                     | 220                             | 11.5                   |
| SAR 100 - Dm 10       | 0.75                    | 1    | 100                     | 300                             | 15.5                   |
| SAR 100 - Dm 20       | 0.75                    | 1    | 100                     | 250                             | 19                     |
| SAR 100 - Dm 30       | 1.1                     | 1.5  | 100                     | 275                             | 26                     |

## DIRTY WASTE WATER

| MODEL                | POWER (P <sub>2</sub> ) |      | TANK CAPACITY<br>litres | MAXIMUM FLOW RATE<br>litres/min | MAXIMUM HEAD<br>metres |
|----------------------|-------------------------|------|-------------------------|---------------------------------|------------------------|
|                      | kW                      | HP   |                         |                                 |                        |
| SAR 100-TOP 2-VORTEX | 0.37                    | 0.50 | 100                     | 180                             | 6.5                    |
| SAR 100-TOP 3-VORTEX | 0.55                    | 0.75 | 100                     | 180                             | 8                      |
| SAR 100-RXm 2/20     | 0.37                    | 0.50 | 100                     | 180                             | 6.5                    |
| SAR 100-RXm 3/20     | 0.55                    | 0.75 | 100                     | 180                             | 8                      |
| SAR 100-ZXm 1A/40    | 0.60                    | 0.85 | 100                     | 400                             | 10.5                   |
| SAR 100-VXm 8/35     | 0.55                    | 0.75 | 100                     | 350                             | 8                      |
| SAR 100-VXm 10/35    | 0.75                    | 1    | 100                     | 400                             | 10                     |
| SAR 100-VXm 8/50     | 0.55                    | 0.75 | 100                     | 450                             | 6                      |
| SAR 100-VXm 10/50    | 0.75                    | 1    | 100                     | 550                             | 8.5                    |
| SAR 100-BCm 10/50    | 0.75                    | 1    | 100                     | 600                             | 11                     |
| SAR 100-TRm 0.75     | 0.75                    | 1    | 100                     | 120                             | 15.5                   |
| SAR 100-TRm 1.1      | 1.1                     | 1.5  | 100                     | 120                             | 22                     |

## COMPONENTS

- 100 litres polyethylene tank with cover plate
- Pump complete with float switch
- Power cable: supplied with standard 10 metres cable with Schuko plug
- Control box (only for SAR 100-TR)
- Accumulation stations with inlet tube Ø 110 mm, outlet 1¼" or 1½" or 2" gas and vent Ø 50 mm

## CLEAR WASTE WATER - RAINWATER

| MODEL           | POWER (P <sub>2</sub> ) |      | TANK CAPACITY<br>litres | MAXIMUM FLOW RATE<br>litres/min | MAXIMUM HEAD<br>metres |
|-----------------|-------------------------|------|-------------------------|---------------------------------|------------------------|
|                 | kW                      | HP   |                         |                                 |                        |
| SAR 250 - TOP 3 | 0.55                    | 0.75 | 250                     | 260                             | 10                     |
| SAR 250 - TOP 4 | 0.75                    | 1    | 250                     | 320                             | 12.5                   |
| SAR 250 - TOP 5 | 0.92                    | 1.25 | 250                     | 360                             | 15                     |
| SAR 250 - RXm 3 | 0.55                    | 0.75 | 250                     | 220                             | 11.5                   |
| SAR 250 - RXm 4 | 0.75                    | 1    | 250                     | 260                             | 15                     |
| SAR 250 - RXm 5 | 1.1                     | 1.5  | 250                     | 300                             | 19.5                   |
| SAR 250 - Dm 10 | 0.75                    | 1    | 250                     | 300                             | 15.5                   |
| SAR 250 - Dm 20 | 0.75                    | 1    | 250                     | 250                             | 19                     |
| SAR 250 - Dm 30 | 1.1                     | 1.5  | 250                     | 275                             | 26                     |



## DIRTY WASTE WATER

| MODEL                | POWER (P <sub>2</sub> ) |      | TANK CAPACITY<br>litres | MAXIMUM FLOW RATE<br>litres/min | MAXIMUM HEAD<br>metres |
|----------------------|-------------------------|------|-------------------------|---------------------------------|------------------------|
|                      | kW                      | HP   |                         |                                 |                        |
| SAR 250-TOP 2-VORTEX | 0.37                    | 0.50 | 250                     | 180                             | 6.5                    |
| SAR 250-TOP 3-VORTEX | 0.55                    | 0.75 | 250                     | 180                             | 8                      |
| SAR 250-RXm 3/20     | 0.55                    | 0.75 | 250                     | 180                             | 8                      |
| SAR 250-RXm 4/40     | 0.75                    | 1    | 250                     | 280                             | 9.5                    |
| SAR 250-RXm 5/40     | 1.1                     | 1.5  | 250                     | 380                             | 12.5                   |
| SAR 250-VXm10/35-ST  | 0.75                    | 1    | 250                     | 400                             | 10.5                   |
| SAR 250-VXm10/50-ST  | 0.75                    | 1    | 250                     | 550                             | 9.5                    |
| SAR 250-BCm10/50-ST  | 0.75                    | 1    | 250                     | 600                             | 11                     |
| SAR 250-VXm 10/35    | 0.75                    | 1    | 250                     | 400                             | 10                     |
| SAR 250-VXm 15/35    | 1.1                     | 1.5  | 250                     | 500                             | 13.5                   |
| SAR 250-VXm 10/50    | 0.75                    | 1    | 250                     | 550                             | 8.5                    |
| SAR 250-VXm 15/50    | 1.1                     | 1.5  | 250                     | 650                             | 11                     |
| SAR 250-BCm 10/50    | 0.75                    | 1    | 250                     | 600                             | 11                     |
| SAR 250-BCm 15/50    | 1.1                     | 1.5  | 250                     | 750                             | 14                     |
| SAR 250-TRm 0.75     | 0.75                    | 1    | 250                     | 120                             | 15.5                   |
| SAR 250-TRm 1.1      | 1.1                     | 1.5  | 250                     | 120                             | 22                     |
| SAR 250-TRm 1.5      | 1.5                     | 2    | 250                     | 260                             | 25                     |

## COMPONENTS

- **250 litres** polyethylene tank with cover plate
- Pump complete with float switch
- Power cable: supplied with standard 10 metres cable with Schuko plug
- Control box (only for SAR 250-TR)
- Accumulation stations with **inlet tube** Ø 110 mm, **outlet** 1¼" or 1½" or 2" gas and **vent** DN 50 or DN 75
- Coupling support and guide tubes for lowering of pump (only for VX-ST and BC-ST)

## OPTIONS AVAILABLE ON REQUEST

- **Alarm KIT** (Cod. KSKIT-ALLARME)  
Kit includes: control box, self-powered siren, float
- **300 mm extension kit** (Cod. KSKIT-308MA)  
Kit includes: extension kit for the installation of the polyethylene "SAR" tank at greater depths
- **"SAR" stations with ball check valves and ball valve in the discharge pipe**

## CLEAR WASTE WATER - RAINWATER

| MODEL                | POWER (P <sub>2</sub> ) |      | TANK CAPACITY<br>litres | MAXIMUM FLOW RATE<br>(1 pump)<br>litres/min | MAXIMUM HEAD<br>metres |
|----------------------|-------------------------|------|-------------------------|---|------------------------|
|                      | kW                      | HP   |                         |   |                        |
| <b>SAR 550-TOP 4</b> | 0.75                    | 1    | <b>550</b>              | 320   | 12.5                   |
| <b>SAR 550-TOP 5</b> | 0.92                    | 1.25 | <b>550</b>              | 360   | 15                     |
| <b>SAR 550-RXm 4</b> | 0.75                    | 1    | <b>550</b>              | 260   | 15                     |
| <b>SAR 550-RXm 5</b> | 1.1                     | 1.5  | <b>550</b>              | 300   | 19.5                   |
| <b>SAR 550-Dm 10</b> | 0.75                    | 1    | <b>550</b>              | 300   | 15.5                   |
| <b>SAR 550-Dm 20</b> | 0.75                    | 1    | <b>550</b>              | 250   | 19                     |
| <b>SAR 550-Dm 30</b> | 1.1                     | 1.5  | <b>550</b>              | 275   | 26                     |



## DIRTY WASTE WATER

| MODEL                       | POWER (P <sub>2</sub> ) |     | TANK CAPACITY<br>litres | MAXIMUM FLOW RATE<br>(1 pump)<br>litres/min | MAXIMUM HEAD<br>metres |
|-----------------------------|-------------------------|-----|-------------------------|---|------------------------|
|                             | kW                      | HP  |                         |   |                        |
| <b>SAR 550-RXm 4/40</b>     | 0.75                    | 1   | 550                     | 280   | 9.5                    |
| <b>SAR 550-RXm 5/40</b>     | 1.1                     | 1.5 | 550                     | 380   | 12.5                   |
| <b>SAR 550-VXm 10/35-ST</b> | 0.75                    | 1   | 550                     | 400   | 10.5                   |
| <b>SAR 550-VXm 10/50-ST</b> | 0.75                    | 1   | 550                     | 550   | 9.5                    |
| <b>SAR 550-BCm10/50-ST</b>  | 0.75                    | 1   | 550                     | 600   | 11                     |
| <b>SAR 550-VXm 10/35</b>    | 0.75                    | 1   | 550                     | 400   | 10                     |
| <b>SAR 550-VXm 15/35</b>    | 1.1                     | 1.5 | 550                     | 500   | 13.5                   |
| <b>SAR 550-VXm 10/50</b>    | 0.75                    | 1   | 550                     | 550   | 8.5                    |
| <b>SAR 550-VXm 15/50</b>    | 1.1                     | 1.5 | 550                     | 650   | 11                     |
| <b>SAR 550-VX 15/50 (*)</b> | 1.1                     | 1.5 | 550                     | 650   | 11                     |
| <b>SAR 550-BCm 10/50</b>    | 0.75                    | 1   | 550                     | 600   | 11                     |
| <b>SAR 550-BCm 15/50</b>    | 1.1                     | 1.5 | 550                     | 750   | 14                     |
| <b>SAR 550-BC 15/50 (*)</b> | 1.1                     | 1.5 | 550                     | 750   | 14                     |
| <b>SAR 550-TRm 0.75</b>     | 0.75                    | 1   | 550                     | 120   | 15.5                   |
| <b>SAR 550-TRm 1.1</b>      | 1.1                     | 1.5 | 550                     | 120   | 22                     |
| <b>SAR 550-TR 1.1 (*)</b>   | 1.1                     | 1.5 | 550                     | 120   | 22                     |
| <b>SAR 550-TRm 1.5</b>      | 1.5                     | 2   | 550                     | 260   | 25                     |

### COMPONENTS

- **550 litre** polyethylene tank with two lids
- Two single-phase pumps (\* Two three-phase pumps)
- Power cable: supplied with standard 10 metres cable
- Control box
- Three floats for: 1) alternating switch-on of one of the two pumps, 2) maximum level with switch-on of second pump, 3) minimum level with switch-off of pumps
- Accumulation stations with two inlet tubes Ø 110 mm, outlet 1¼" or 1½" or 2" gas and vent DN 50 or DN 75
- Coupling support and guide tubes for lowering of pump (only for VX-ST and BC-ST)

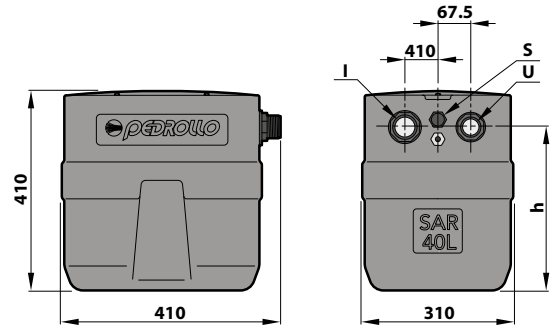
### OPTIONS AVAILABLE ON REQUEST

- **Alarm KIT** (Cod. KSKIT-ALLARME)  
Kit includes: control box, self-powered siren, float
- **300 mm extension kit** (Cod. KSKIT-308MA)  
Kit includes: extension kit for the installation of the polyethylene "SAR" tank at greater depths  
**ATTENTION: the tank is fitted with two lids**
- **"SAR" stations with ball check valves and ball valve in the discharge pipe**

## DIMENSIONS AND WEIGHT

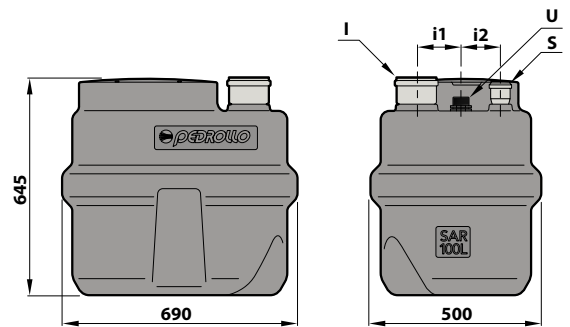
| MODEL               | PORTS |                  |    | h   | kg   |
|---------------------|-------|------------------|----|-----|------|
|                     | I     | U <sup>(1)</sup> | S  |     |      |
| SAR 40-TOP 1        | 1½"   | 1¼"              | ½" | 305 | 14.0 |
| SAR 40-TOP 2        |       |                  |    |     | 14.7 |
| SAR 40-TOP 3        |       |                  |    | 335 | 16.1 |
| SAR 40-RXm 1        |       |                  |    | 305 | 14.2 |
| SAR 40-RXm 2        |       |                  |    |     | 15.3 |
| SAR 40-RXm 3        |       |                  |    | 335 | 16.9 |
| SAR 40-TOP 2-VORTEX |       |                  |    |     | 14.6 |
| SAR 40-TEX 2        |       |                  |    |     | -    |
| SAR 40-TEX 3        |       |                  |    |     | -    |
| SAR 40-RXm 2/20     |       |                  |    |     | 15.6 |

<sup>(1)</sup> Male threaded fitting



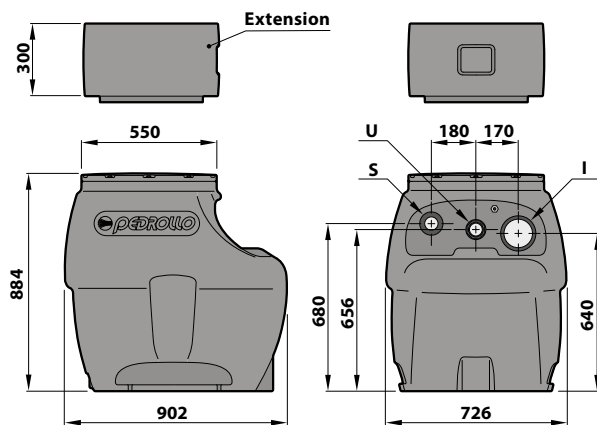
| MODEL                | PORTS  |                  |       | i1   | i2  | kg   |
|----------------------|--------|------------------|-------|------|-----|------|
|                      | I      | U <sup>(1)</sup> | S     |      |     |      |
| SAR 100-TOP 2        | DN 110 | 1¼"              | DN 50 | 145  | 100 | 28.7 |
| SAR 100-TOP 3        |        |                  |       |      |     | 30.1 |
| SAR 100-TOP 4        |        | 1½"              |       |      |     | 33.7 |
| SAR 100-TOP MULTI 1  |        | 1¼"              |       |      |     | 30.3 |
| SAR 100-TOP MULTI 2  |        |                  |       |      |     | 32.9 |
| SAR 100-TOP MULTI 3  |        |                  |       |      |     | 32.9 |
| SAR 100-RXm 2        |        | 1½"              |       |      |     | 29.3 |
| SAR 100-RXm 3        |        |                  |       |      |     | 29.6 |
| SAR 100-Dm 10        |        |                  |       |      |     | 36.6 |
| SAR 100-Dm 20        |        | 1½"              |       |      |     | 36.6 |
| SAR 100-Dm 30        |        |                  |       | 38.6 |     |      |
| SAR 100-TOP 2-VORTEX |        | 1¼"              |       | 28.7 |     |      |
| SAR 100-TOP 3-VORTEX |        |                  |       | 30.1 |     |      |
| SAR 100-RXm 2/20     |        | 1½"              |       | 29.6 |     |      |
| SAR 100-RXm 3/20     |        |                  |       | 29.8 |     |      |
| SAR 100-ZXm 1A/40    |        | 1½"              |       | 130  | 115 | 35.2 |
| SAR 100-VXm 8/35     |        |                  |       | 36.4 |     |      |
| SAR 100-VXm 10/35    |        | 2"               |       | 37.2 |     |      |
| SAR 100-VXm 8/50     |        |                  |       | 36.9 |     |      |
| SAR 100-VXm 10/50    |        |                  |       | 37.7 |     |      |
| SAR 100-BCm 10/50    | 1¼"    | 38.4             |       |      |     |      |
| SAR 100-TRm 0.75     |        | 46.0             |       |      |     |      |
| SAR 100-TRm 1.1      |        | 47.6             |       |      |     |      |

<sup>(1)</sup> Male threaded fitting

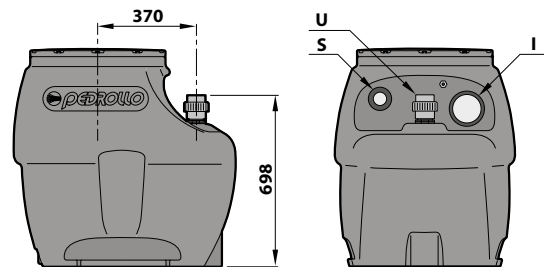


## DIMENSIONS AND WEIGHT

| MODEL                | PORTS  |                  |       | kg   |
|----------------------|--------|------------------|-------|------|
|                      | I      | U <sup>(1)</sup> | S     |      |
| SAR 250-TOP 3        | DN 110 | 1¼"              | DN 50 | 42.6 |
| SAR 250-TOP 4        |        | 1½"              |       | 46.2 |
| SAR 250-TOP 5        |        | 1½"              |       | 46.2 |
| SAR 250-RXm 3        |        | 1¼"              |       | 47.0 |
| SAR 250-RXm 4        |        | 1½"              |       | 50.0 |
| SAR 250-RXm 5        |        |                  |       | 51.0 |
| SAR 250-Dm 10        |        |                  |       | 51.2 |
| SAR 250-Dm 20        |        |                  |       | 53.5 |
| SAR 250-Dm 30        |        |                  |       | 51.2 |
| SAR 250-TOP 2-VORTEX |        | 1¼"              |       | 44.0 |
| SAR 250-TOP 3-VORTEX |        |                  | 46.0  |      |
| SAR 250-RXm 3/20     |        |                  | 45.0  |      |
| SAR 250-RXm 4/40     |        |                  | 53.0  |      |
| SAR 250-RXm 5/40     |        |                  | 53.0  |      |
| SAR 250-VXm10/35-ST  |        | 2"               | 60.0  |      |
| SAR 250-VXm10/50-ST  |        |                  | 60.0  |      |
| SAR 250-BCm10/50-ST  |        | 1½"              | 60.5  |      |
| SAR 250-VXm 10/35    |        |                  | 53.0  |      |
| SAR 250-VXm 15/35    |        |                  | 54.0  |      |
| SAR 250-VXm 10/50    |        |                  | 53.0  |      |
| SAR 250-VXm 15/50    | 53.0   |                  |       |      |
| SAR 250-BCm 10/50    | 2"     | 53.5             |       |      |
| SAR 250-BCm 15/50    |        | 55.0             |       |      |
| SAR 250-TRm 0.75     | 1¼"    | DN 50            | 62.0  |      |
| SAR 250-TRm 1.1      |        | 64.0             |       |      |
| SAR 250-TRm 1.5      |        | 1½"              | 79.0  |      |

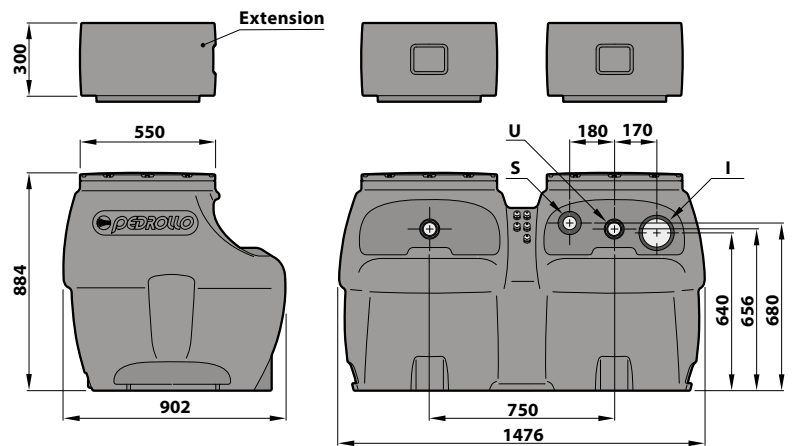


Only for VX-ST, BC-ST versions

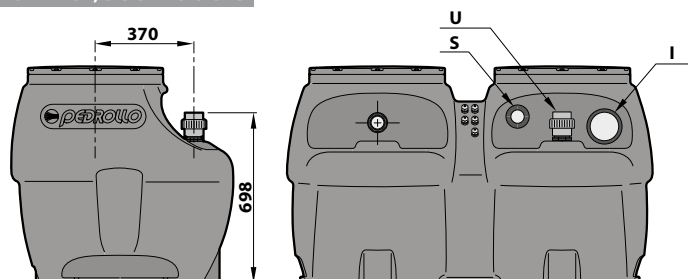


<sup>(1)</sup> Male threaded fitting (female for VX-ST and BC-ST)

| MODEL                | PORTS  |                  |       | kg    |
|----------------------|--------|------------------|-------|-------|
|                      | I      | U <sup>(1)</sup> | S     |       |
| SAR 550-TOP 4        | DN 110 | 1½"              | DN 50 | 96.0  |
| SAR 550-TOP 5        |        |                  |       | 95.2  |
| SAR 550-RXm 4        |        |                  |       | 103.0 |
| SAR 550-RXm 5        |        |                  |       | 105.0 |
| SAR 550-Dm 10        |        |                  |       | 101.2 |
| SAR 550-Dm 20        |        |                  |       | 101.2 |
| SAR 550-Dm 30        |        |                  |       | 105.7 |
| SAR 550-RXm 4/40     |        |                  |       | 105.0 |
| SAR 550-RXm 5/40     |        |                  |       | 106.0 |
| SAR 550-VXm 10/35-ST |        |                  |       | 2"    |
| SAR 550-VXm 10/50-ST |        | 121.0            |       |       |
| SAR 550-BCm10/50-ST  |        | 1½"              | 122.0 |       |
| SAR 550-VXm 10/35    |        |                  | 105.0 |       |
| SAR 550-VXm 15/35    |        |                  | 106.0 |       |
| SAR 550-VXm 10/50    |        |                  | DN 75 | 105.1 |
| SAR 550-VXm 15/50    |        |                  | 108.0 |       |
| SAR 550-VX 15/50     |        | 2"               | 107.0 |       |
| SAR 550-BCm 10/50    |        |                  | 109.0 |       |
| SAR 550-BCm 15/50    |        | 108.0            |       |       |
| SAR 550-BC 15/50     |        | 106.0            |       |       |
| SAR 550-TRm 0.75     | 1¼"    | DN 50            | 135.0 |       |
| SAR 550-TRm 1.1      |        | 137.5            |       |       |
| SAR 550-TR 1.1       |        | 137.0            |       |       |
| SAR 550-TRm 1.5      | 1½"    | 182.0            |       |       |



Only for VX-ST, BC-ST versions



<sup>(1)</sup> Male threaded fitting (female for VX-ST and BC-ST)